


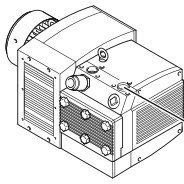







BETRIEBSANLEITUNG
OPERATING INSTRUCTIONS
INSTRUCTIONS DE SERVICE
ISTRUZIONI D'USO
HANDLEIDING
INSTRUCCIONES PARA EL MANEJO
MANUAL DE INSTRUÇÕES
NAUDOJIMOSI INSTRUKCIJA
KASUTUSJUHEND
LIETOŠANAS INSTRUKCIJA
DRIFTSINSTRUKS
DRIFTSINSTRUKTIONER
DRIFTSVEJLEDNING
INSTRUKCJA OBSŁUGI

KEZELÉSI ÚTMUTATÓ
NÁVOD K OBSLUZE
NAVODILO ZA UPORABO
NÁVOD NA OBSLUHU
UPUTE ZA RAD
MANUAL DE OPERATII
TREORACHA OIBRIÚCHÁIN
ΟΔΗΓΙΕΣ ΧΡΗΣΗΣ
EL KITABI
ИНСТРУКЦИИ ЗА ЕКСПЛОАТАЦИЯ
ИНСТРУКЦИЯ ПО ЕКСПЛОАТАЦИИ
取扱説明書
사용설명서
使用说明书


KDT 3.100

MAKE IT BECKER.


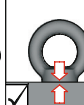


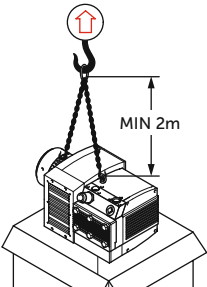


 		
		
 <p><input checked="" type="checkbox"/> AIR</p>		
		



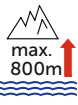
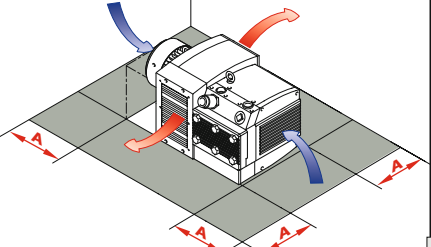
1

<p>MAX. PRESSURE →</p>		<p>mbar</p>
	<p>MAX. →</p>	
<p>DIN EN ISO 11203 Accuracy Class 2 K_{pA} = 3 dB(A) l ← 1m</p>		<p>L_{pA} = 76 dB(A) - 50Hz L_{pA} = 78 dB(A) - 60Hz</p>


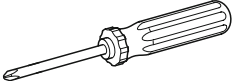

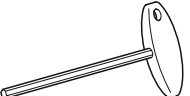

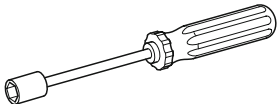
2

			 <p>107-129 kg 236-284 lbs</p>
 <p>MIN 2m</p>			

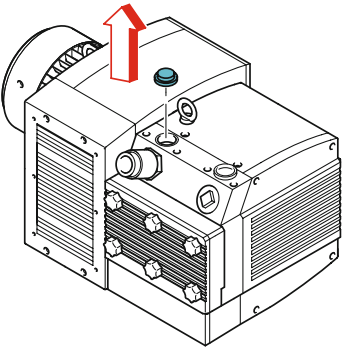
3

<p>A > 100mm A > 4"</p>	 <p>> 5°C/41°F < 45°C/113°F</p>	 <p>max. 90%</p>	 <p>max. 800m ↑</p>
			

4

 <p>No. 2</p>	
 <p>5 mm</p>	
 <p>7 mm 10 mm</p>	

5



6

i+

MOTOR-PROTECTION

=

(CF LXX)	
50Hz	60Hz
XXX / XXX Y	XXX / XXX Y
(XX / XX X)	(XX / XX X)

SERVICE FACTOR

X

RATED CURRENT

7

GENERAL

¹⁾ motor protection switch

ADDITIONAL **M** ≥ 5.5 **kW**

RECOMMENDATION

A

Softstart

B

OPTIONAL

ON (I) -

OFF (0) -

MAX 10x/h

OPTIONAL

PTC

Bi-metal

8

9

10

PRESSURE

0 2 10 [m]

1 1/2" 2" + 1x

11

i+

BECKER year

D-42779 Wuppertal No

www.becker-international.com

CE type

frequency Hz

speed min⁻¹

power required kW

inlet capacity m³/h

max. pressure mbar

Made in Germany

12

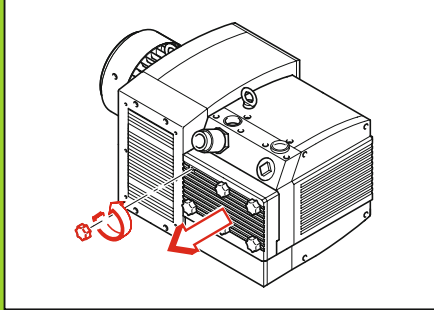
Maintenance



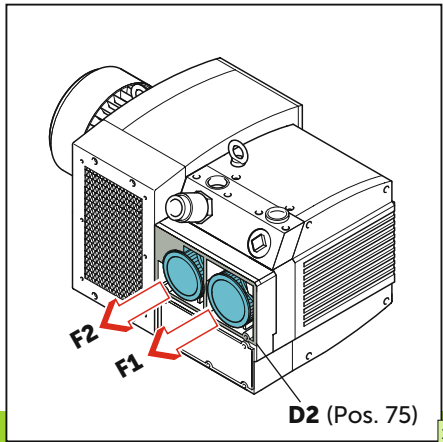
13

14

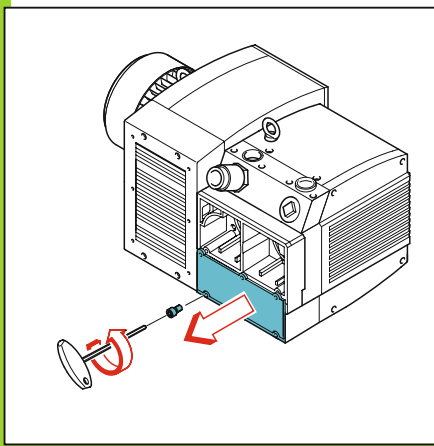
<p>CLEANING INTERVAL</p>	<p>SUCTION AIR</p>	<p>40h</p> <p>↑ ↓</p> <p>200h</p> <p>EN149 - FFP3 42 CFR 84 - N100</p>
---------------------------------	--------------------	--



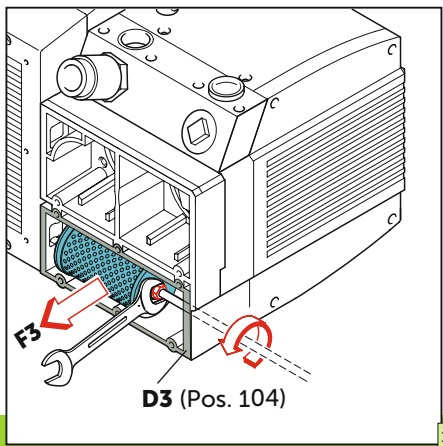
15



16



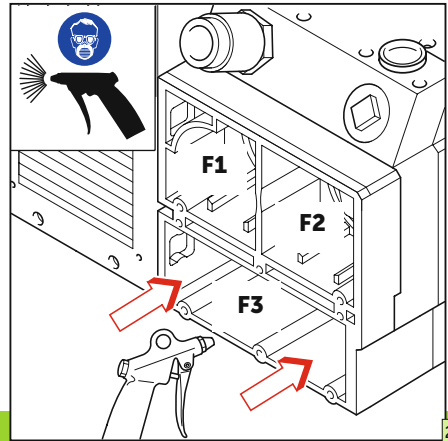
17



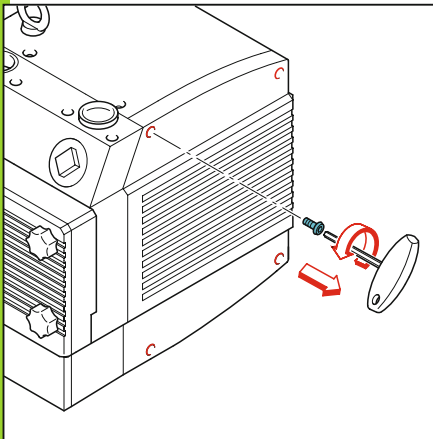
18

F1 = F2 (standard)	F2* (polyester) KDT 3.100/6	F3 (standard)
No.: 909507	No.: 909587	No.: 909514
	Satz / Kit Pos.: 17, 20, 24, 62, 75, 76, 85, 86, 104, 122, 125, 126, 146 No.: 549000 21300	

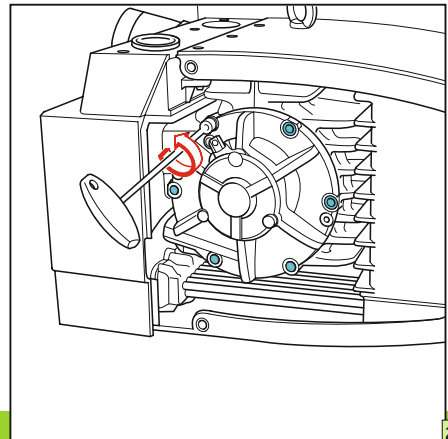
19



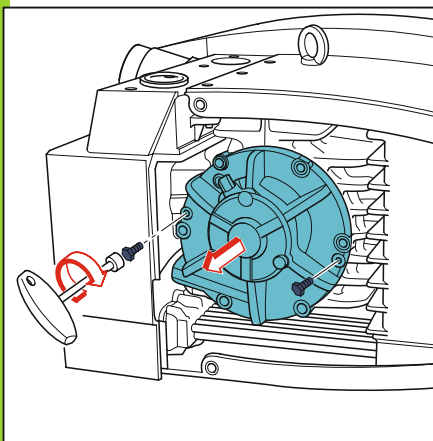
20



21



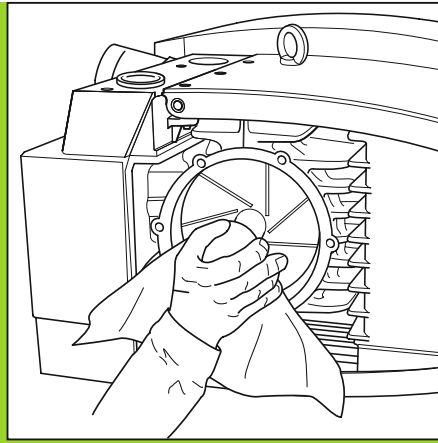
22



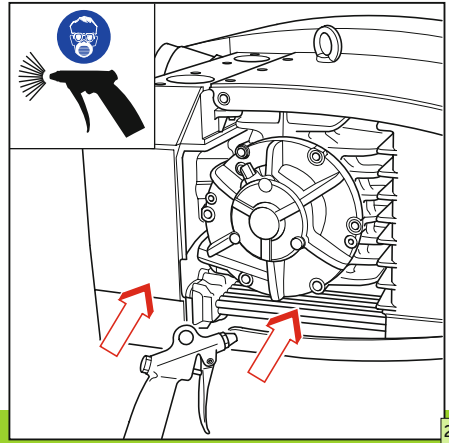
23

3000 h	
	$A_{MAX} = 39mm$ $A_{MIN} = 26mm$
<input checked="" type="checkbox"/>	$A_{spr} < 26mm$
<p>KDT 3.100 (standard) → No. 90133300004 (SET) KDT 3.100/0-52 → No. 90138000004 (SET) KDT 3.100/6-54 → " " " KDT 3.100/6-29 → No. 90138000007 (SET) KDT 3.100/6-71 → " " " KDT 3.100/6-71 HD → No. 90140000007 (SET)</p>	

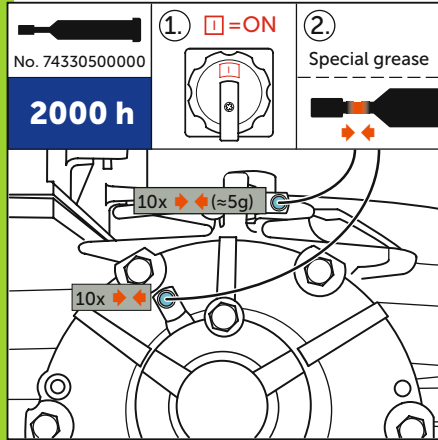
24



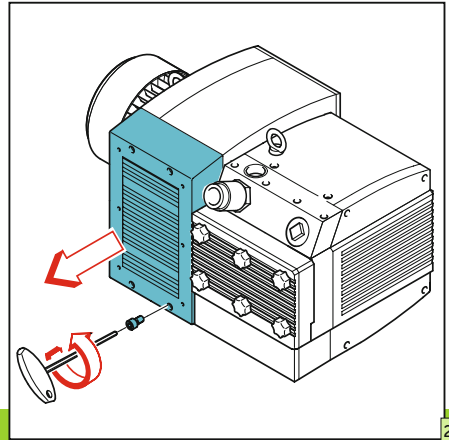
25



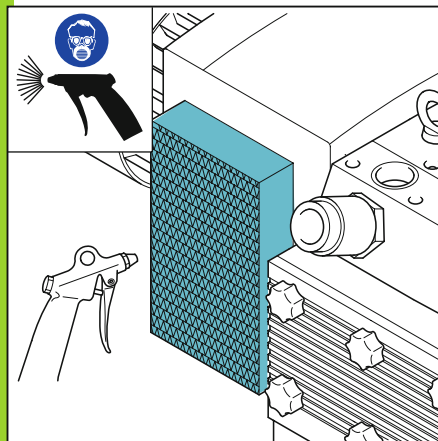
26



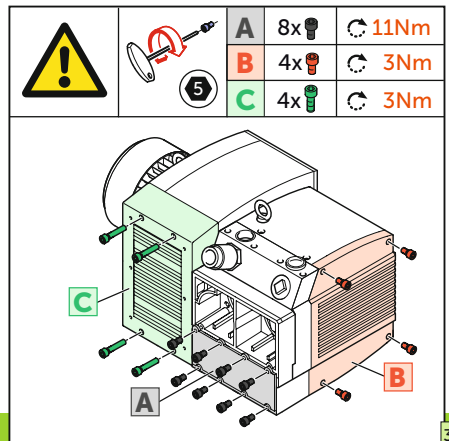
27



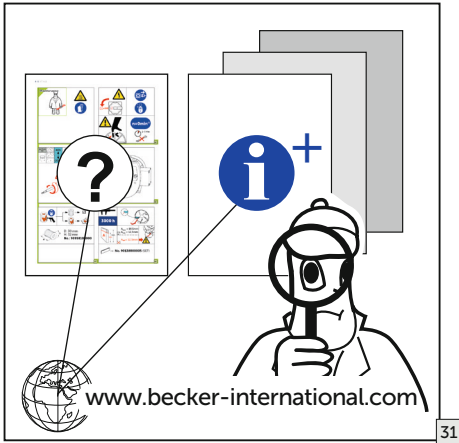
28




29



30



Gebr. Becker GmbH
Hoelker Feld 29-31
42279 WUPPERTAL
GERMANY
info@becker-international.com
www.becker-international.com



The Becker logo consists of a circular icon on the left, featuring a stylized 'B' and 'C' intertwined, and the word 'BECKER' in a bold, blue, sans-serif font to its right.



MAKE IT BECKER.

28100021201 | 2020-03-25 | Alle Rechte vorbehalten